

VULCAN

CATALOG OF REPLACEMENT PARTS

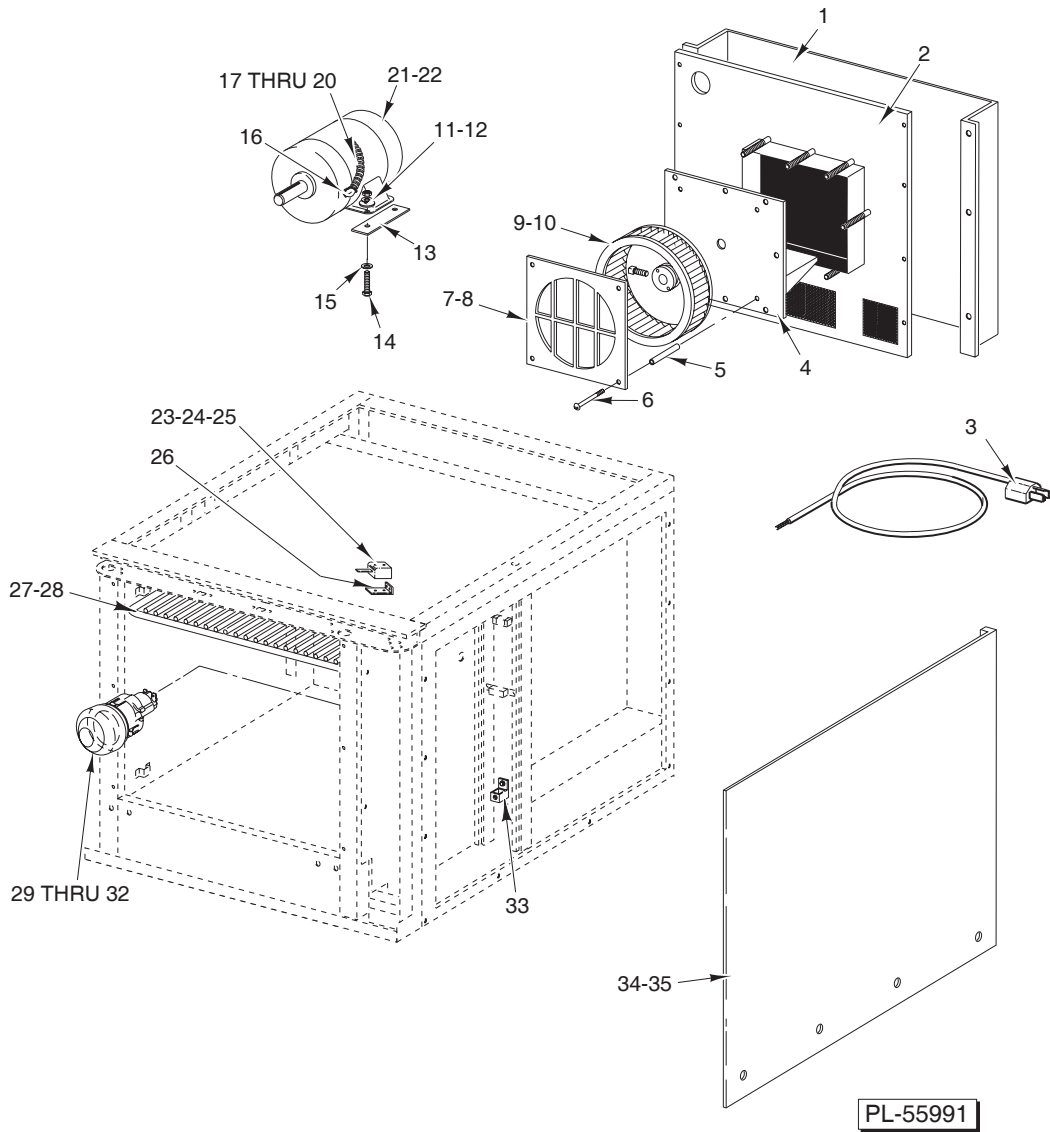
GAS CONVECTION OVENS

MODELS

VC4GS	ML-126610
VC4GD	ML-126611
VC4GC	ML-136494
VC6GS	ML-126612
VC6GD	ML-126613
VC6GC	ML-136495



For additional information on Vulcan-Hart or to locate an authorized parts and service provider in your area, visit our website at www.vulcanhart.com

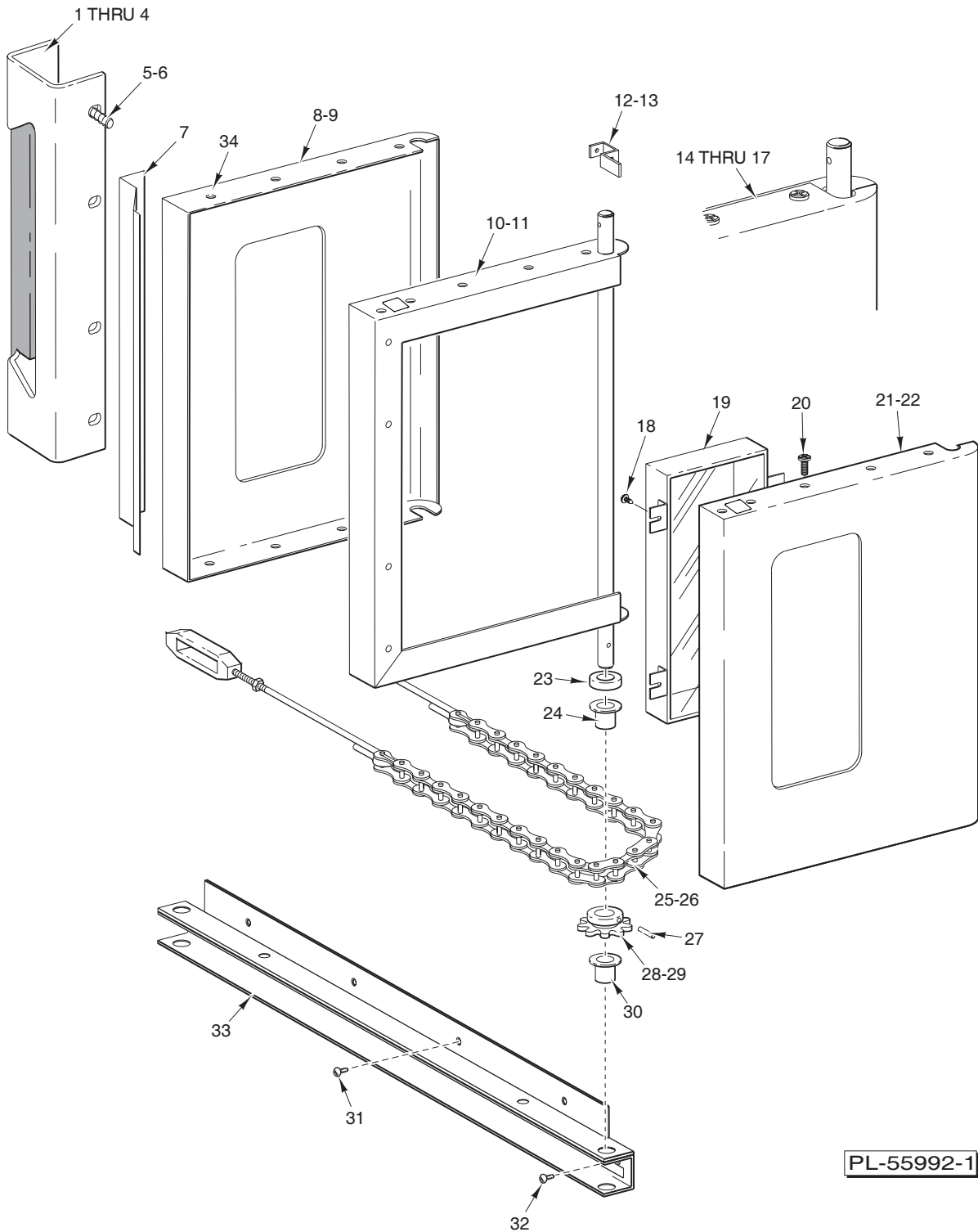


OVEN PANELS

OVEN PANELS

ILLUS.	PART NO.	NAME OF PART	AMT.
PL-55991			
1	00-424840-00002	Panel – Back (SST) (Optional)	1
2	00-424153-000G1	Back – Panel Assy.	1
3	00-405016-00001	Cord – Electric Supply (120 V. Only)	1
4	00-423289-000G1	Motor Mount	1
5	00-411289-00004	Spacer – Fan Housing	4
6	SC-120-15	Mach. Screw 1/4-20 x 4 Rd. Hd.	4
7	00-411136-00004	Fan – Cover (60 Hz.)	1
8	00-411136-00003	Fan – Cover (50 Hz.)	1
9	00-415780-00003	Wheel – Blower (60 Hz.)	1
10	00-415780-00005	Wheel – Blower (50 Hz.)	1
11	WS-029-46	Washer	4
12	NS-046-86	Nut Assy. 5/16-18 KEPS Hex	4
13	00-358723-00001	Spacer – Steel	2
14	SC-113-65	Cap Screw 5/16-18 x 1 1/4 Hex Hd.	4
15	WS-029-46	Washer	4
16	FE-002-52	Connector – Conduit 3/8 TS (90 Deg.)	1
17	FE-006-05	Lock Nut 1/2	1
18	00-414540-00B35	Conduit 3/8 x 35 Lg.	1
19	00-342285-00001	Bushing – Plastic	2
20	FE-002-03	Connector – Conduit 3/8 TS Straight	1
21	00-358516-00001	Motor 1/2 Hp. (2 Speed) (115/50/60/1)	1
22	00-358516-00002	Motor 1/2 Hp. (2 Speed) (208-240/50/60/1)	1
23	00-411496-000F1	Switch – Micro	1
24	NS-038-08	Lock Nut 1/4-20 Hex	2
25	WS-029-49	Washer	2
26	00-425324-00001	Bracket – Door Switch	1
27	00-411265-00011	Rack Assy. (VC4G)	AR
28	00-411265-00010	Rack Assy. (VC6G)	AR
29	00-357036-00001	Oven Lamp (40 W.) (120-130 V.) (Includes Items 31 & 32)	2
30	00-357036-00002	Oven Lamp (40 W.) (250 V.) (Includes Items 31 & 32)	2
31	00-423832-00001	Cover – Light (Metal)	2
32	00-357036-00003	Lens – Lamp Glass	1
33	00-417856-00001	Lug – Grounding (With Set Screw)	1
34	00-424140-00002	Panel – Outer (RH) (SST) (VC4)	1
35	00-424228-00002	Panel – Outer (RH) (SST) (VC6)	1
* 36	00-427617-00001	Flue – Deflector Assy.	1
* 37	00-413627-000G1	Tube – Snorkel Assy.	1
* 38	00-402558-00004	Clip – Bulb	2
* 39	00-346358-00002	Thermostat (High Limit) (With Mounting Plate)	1
* 40	00-346357-00001	Thermostat (High Limit)	1
* 41	00-499302-00001	Body Side, Left (VC4) (New Style)	1
	00-424142-00002	Body Side, Left (VC4) (Old Style)	1
* 42	00-499303-00001	Body Side, Left (VC6) (New Style)	1
	00-424230-00002	Body Side, Left (VC6) (Old Style)	1

NOTE: * Items Not Shown

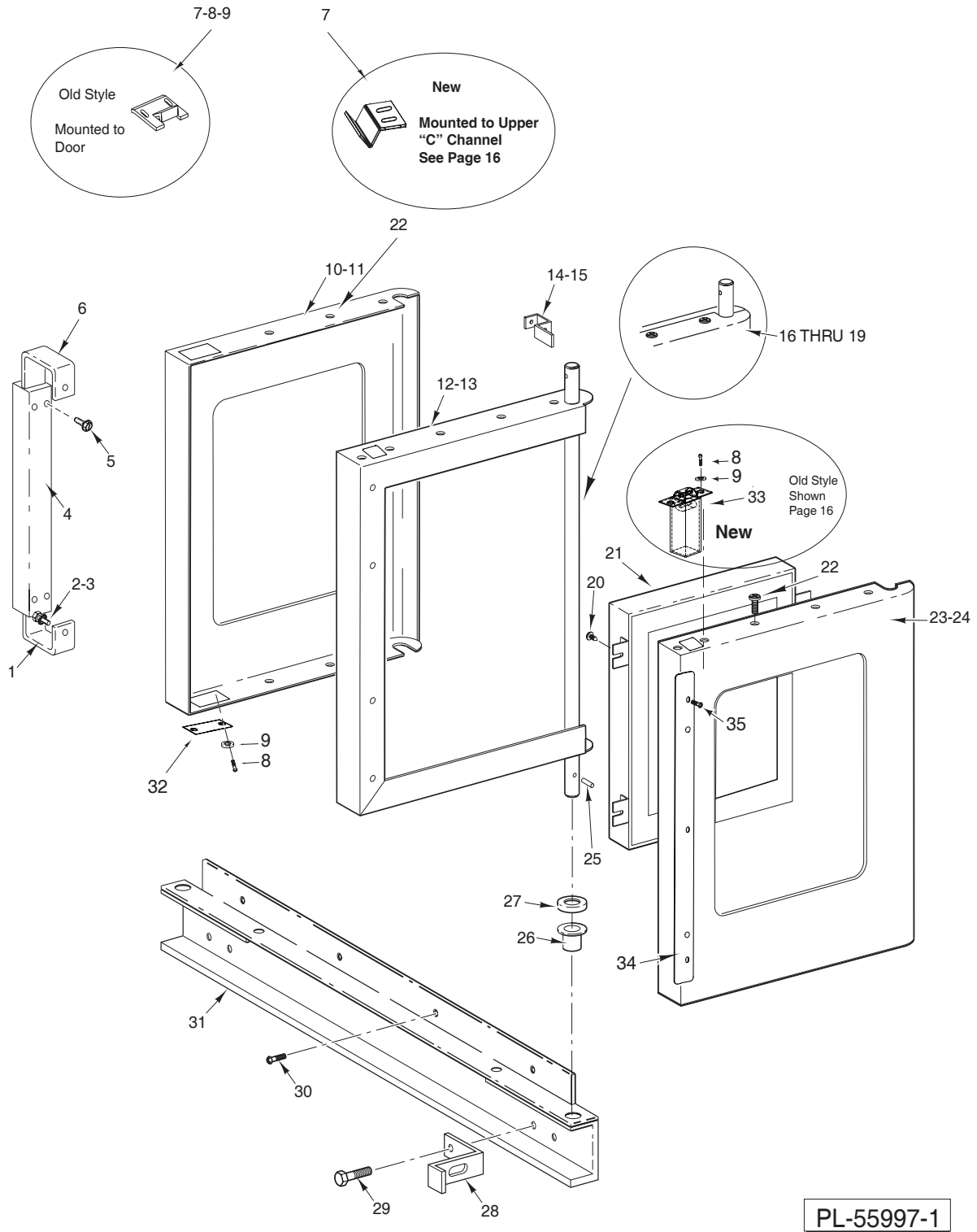


PL-55992-1

**DOOR ASSEMBLY
(SIMULTANEOUSLY OPENING DOORS)**

**DOOR ASSEMBLY
(SIMULTANEOUSLY OPENING DOORS)**

ILLUS. PL-55992-1	PART NO.	NAME OF PART	AMT.
1	00-356562-00001	Handle – Door	1
2	00-356563-00003	Grip – Front	1
3	00-356563-00004	Grip – Rear	1
4	SC-113-98	Mach. Screw 10-24 x 1/2 Hex Washer Hd.	3
5	SC-041-01	Cap Screw 1/4-20 x 3/4 Hex Hd. (SST)	4
6	WL-019-37	Lockwasher 1/4 Light	4
7	00-356550-00001	Latch – Friction	1
8	00-421913-00002	Shell – Outer Door (RH) (W/O Window)	1
	00-421913-00004	Shell – Outer Door (LH) (W/O Window)	1
9	00-421913-00001	Shell – Outer Door (RH) (W/Window)	1
	00-421913-00003	Shell – Outer Door (LH) (W/Window)	1
10	00-421904-000G1	Frame Assy. – Door (LH)	1
11	00-421905-000G1	Frame Assy. – Door (RH)	1
12	00-424163-00001	Lever – Door Switch	1
13	SD-034-52	Self-Tapping Screw 8-32 x 1 Hex Washer Hd., Type T	1
14	00-499289-000G1	Door Assy. (LH) (W/Window) (Chain Door) (New Style)	1
	00-424730-00001	Door Assy. (LH) (W/Window) (Chain Door) (Old Style)	1
15	00-499289-000G2	Door Assy. (LH) (W/O Window) (Chain Door) (New Style)	1
	00-424730-00002	Door Assy. (LH) (W/O Window) (Chain Door) (Old Style)	1
16	00-499290-000G1	Door Assy. (RH) (W/Window) (Chain Door) (New Style)	1
	00-424731-00001	Door Assy. (RH) (W/Window) (Chain Door) (Old Style)	1
17	00-499290-000G2	Door Assy. (RH) (W/O Window) (Chain Door) (New Style)	1
	00-424731-00002	Door Assy. (RH) (W/O Window) (Chain Door) (Old Style)	1
18	SD-034-62	Self-Tapping Screw 10-32 x 1/2 Hex Washer Hd., Type T	4
19	00-358534-00001	Window Assy.	1
20	SD-034-22	Mach. Screw	9
21	00-358532-00001	Shell – Inner Door (LH & RH) (W/Window)	1
22	00-358533-00003	Shell – Inner Door (LH & RH) (W/O Window)	1
23	00-343143-00002	Washer	2
24	00-347080-00002	Bearing – Door Shaft	2
25	00-343608-00002	Door Chain & Turnbuckle Assy.	2
26	00-352667-00001	Cable – Door Stop	1
27	PS-004-11	Spiral Pin 3/16 x 1 1/4 Heavy	2
28	00-342166-00001	Sprocket – Door Shaft	2
29	SC-047-28	Set Screw 1/4-28 x 3/8 Hex Hdls., Cup Pt.	2
30	00-347080-00002	Bearing – Door Shaft	2
31	SC-022-40	Mach. Screw 1/4-20 x 3/4 Phil. Flat Hd.	4
32	SC-113-90	Mach. Screw 1/4-20 x 3/4 Hex Hd.	2
33	00-499300-000G1	Channel – Door Sill Weldment (Chain) (New Style)	1
	00-357846-00001	Channel – Door Sill Weldment (Old Style)	1
34	SC-117-73	Screw, Roller Latch, Plate	2



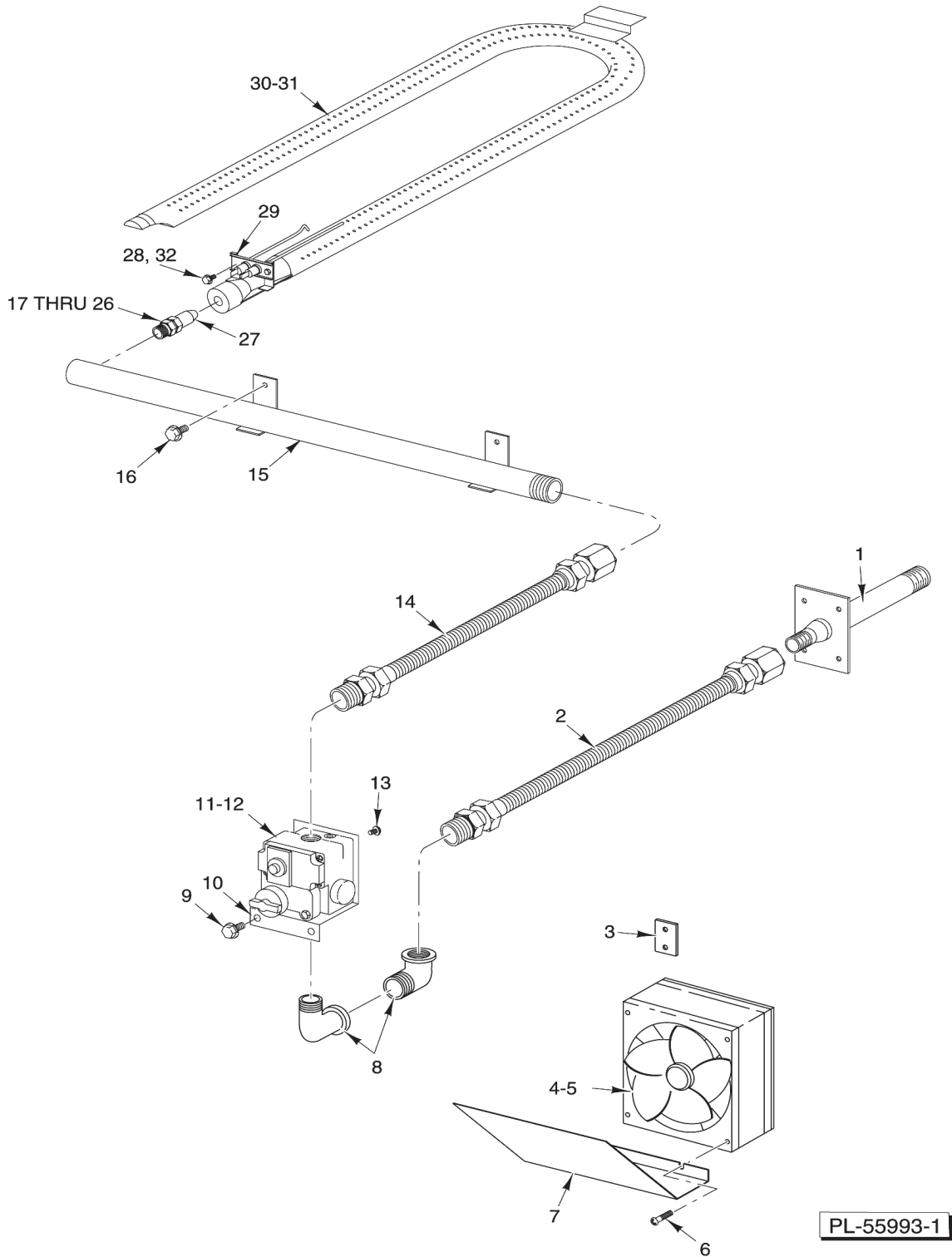
PL-55997-1

**DOOR ASSEMBLY (LEFT HAND DOOR SHOWN)
(INDEPENDENTLY OPENING DOORS)**

**DOOR ASSEMBLY
(INDEPENDENTLY OPENING DOORS)**

ILLUS.	PART NO.	NAME OF PART	AMT.
PL-55997-1			
1	00-358728-00001	Handle – End Piece (Prior to November 2005)	1
2	SC-041-01	Cap Screw 1/4-20 x 3/4 Hex Hd. (SST) (Prior to November 2005)	2
3	WL-019-37	Lockwasher 1/4 Light (Prior to November 2005)	2
4	00-357929-00002	Handle – Door (Includes Items 1, 5 & 6) (November 2005 to Present)	1
5	SC-113-98	Self-Tapping Screw etc.	4
6	00-358728-00001	Handle – End Piece (Prior to November 2005)	1
7	00-423847-00001	Strike – Door (Old Style) (Mounted to Door)	1
	00-497585-00001	Strike Plate (New Style) (Attaches to Upper “C” Channel Assy.) (See Pg. 16)	2
8	SC-117-73	Screw, Roller Latch, Plate	4
9	WL-019-35	Lockwasher	4
10	00-358600-00001	Shell – Outer Door (LH & RH) (W/Window)	1
11	00-358600-00002	Shell – Outer Door (LH & RH) (W/O Window) (Not Shown)	1
12	00-421905-000G1	Frame Assy. – Door (RH)	1
13	00-421904-000G2	Frame Assy. – Door (LH)	1
14	00-424163-00001	Lever – Door Switch	1
15	SD-034-52	Self-Tapping Screw 8-32 x 1 Hex Washer Hd., Type T	1
16	00-499285-000G1	Door Assy. (LH) (W/Window) (Independent Doors) (New Style)	1
	00-358529-00005	Door Assy. (LH) (W/Window) (Independent Doors) (Old Style)	1
17	00-499285-000G2	Door Assy. (LH) (W/O Window) (Independent Doors) (New Style)	1
	00-358529-00006	Door Assy. (LH) (W/O Window) (Independent Doors) (Old Style)	1
18	00-499286-000G1	Door Assy. (RH) (W/Window) (Independent Doors) (New Style)	1
	00-358530-00003	Door Assy. (RH) (W/Window)(Independent Doors) (Old Style)	1
19	00-499286-000G2	Door Assy. (RH) (W/O Window) (Independent Doors) (New Style)	1
	00-358530-00004	Door Assy. (RH) (W/O Window) (Independent Doors) (Old Style)	1
20	SD-034-62	Self-Tapping Screw 10-32 x 1/2 Hex Washer Hd., Type T	4
21	00-358534-00001	Window Assy.	1
22	SD-034-22	Mach. Screw	8
23	00-358532-00001	Shell – Inner Door (LH & RH) (W/Window)	1
24	00-358533-00003	Shell – Inner Door (LH & RH) (W/O Window) (Not Shown)	1
25	PS-004-11	Spiral Pin 3/16 x 1 1/4 Heavy	1
26	00-347080-00002	Bearing – Door Shaft	1
27	00-343143-00002	Washer	2
28	00-499263-00001	Door Stop (New Style)	1
	00-424158-00001	Door Stop (Old Style)	1
29	SC-113-90	Mach. Screw 1/4-20 x 3/4 Hex Hd.	2
30	SC-022-40	Mach. Screw 1/4-20 x 3/4 Phil. Flat Hd.	4
31	00-499262-00001	Channel – Door Sill Weldment (New Style)	1
	00-357846-00001	Channel – Door Sill Weldment (Old Style)	1
32	00-499264-00001	Cover, Cutout	1
33	00-497586-00001	Roller Latch (New Style) (Mounted to Top of Doors)	2
	00-347545-00001	Roller Ball Door Latch (Old Style) (Mounted to “C” Channel)	1
34	00-357837-00001	Door End Seal (LH)	1
35	SC-113-78	Mach. Screw	3
	00-423848-00001	Shim – Door Strike (Old Style)	AR

NOTE: When ordering items 10 or 11 for an old style oven, 2 of part 499264-1, 4 of part SC-117-73 and 4 of part WL-019-35 are also needed.

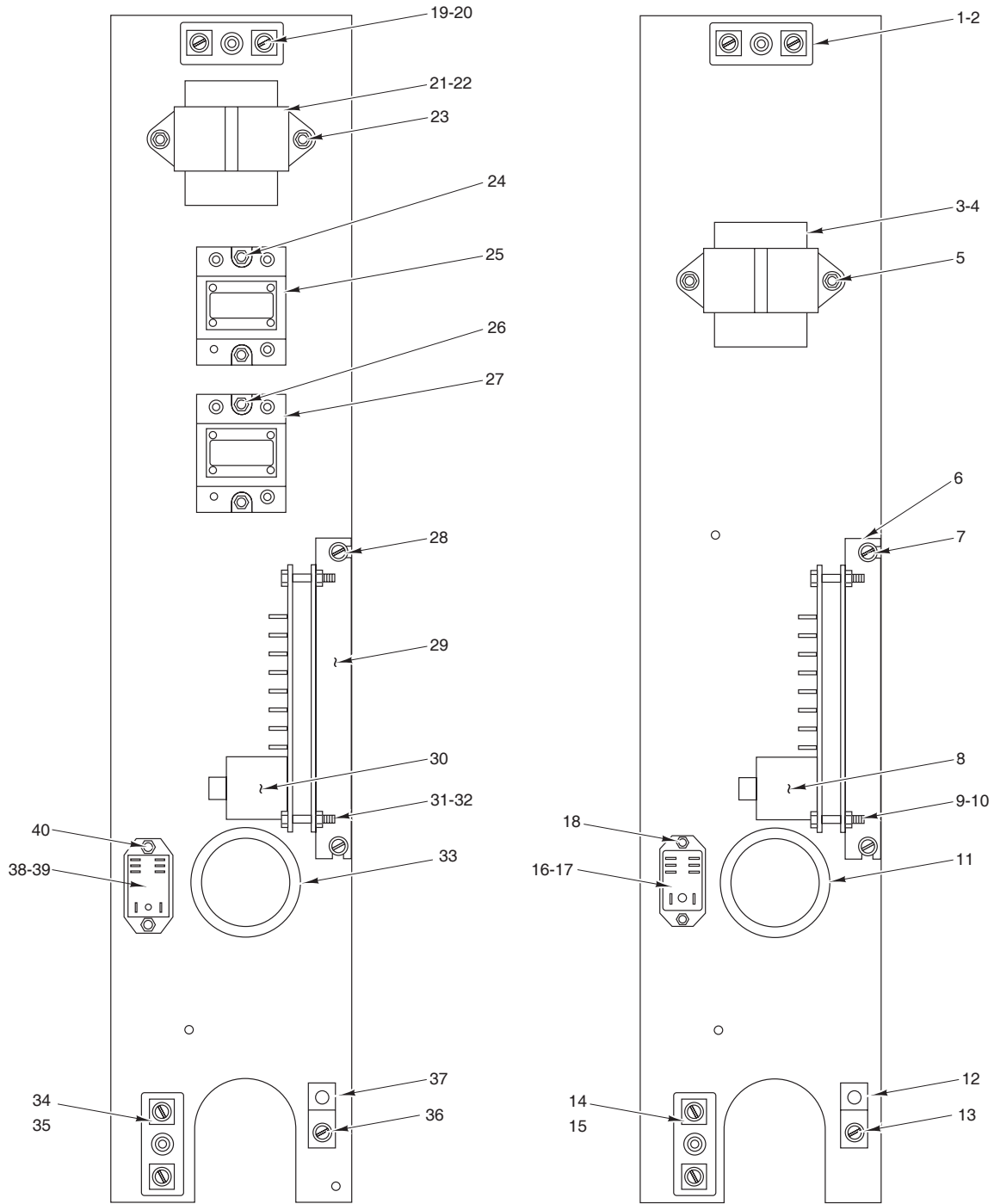


PL-55993-1

GAS PIPING AND FLAME CHAMBER

GAS PIPING AND FLAME CHAMBER

ILLUS.	PART NO.	NAME OF PART	AMT.
PL-55993-1			
1	00-423819-00003	Pipe – Weldment Gas Inlet	1
2	00-423828-00006	Tube – Flex (30")	1
3	00-425433-00001	Fan – Clip	1
4	00-424940-00001	Fan – Cooling (120 V.)	1
5	00-424940-00002	Fan – Cooling (230 V.)	1
6	SD-034-52	Self-Tapping Screw 8-32 x 1 Hex Washer Hd., Type T	2
7	00-423820-00001	Deflector – Air	1
8	FP-078-75	Elbow – Street 1/2 x 90 Deg.	2
9	SC-113-80	Cap Screw 1/4-20 x 1/2 Hex Hd.	4
10	00-424728-00002	Bracket – Gas Valve	1
11	00-497269-00001	Valve – Gas Control (NAT) (White Rogers) (February 2005 to Present)	1
	00-410841-00018	Valve – Gas Control (NAT) (Robert Shaw) (Prior to February 2005)	1
12	00-497269-00002	Valve – Gas Control (PRO/BUT) (White Rogers) (February 2005 to Present)	1
	00-410841-00019	Valve – Gas Control (PRO/BUT) (Robert Shaw) (Prior to February 2005)	1
13	SC-117-60	Mach. Screw 10-32 x 1 1/4 Oval Hd.	2
14	00-423828-00007	Tube – Flex	1
15	00-424138-00001	Manifold	1
16	SC-113-80	Cap Screw 1/4-20 x 1/2 Hex Hd.	2
17	00-010901-00030	Orifice – Spud (30 Drill) (NAT) (Sea Level to 2000 Ft.)	1
18	00-010901-00032	Orifice – Spud (32 Drill) (NAT) (2000 to 2499 Ft.)	1
19	00-010901-00034	Orifice – Spud (34 Drill) (NAT) (3500 to 4499 Ft.)	1
20	00-010901-00035	Orifice – Spud (35 Drill) (NAT) (2000 to 4000 Ft.)	1
21	00-010901-00036	Orifice – Spud (36 Drill) (NAT) (4000 to 8000 Ft.)	1
22	00-010901-00037	Orifice – Spud (37 Drill) (NAT) (8500 to 10500 Ft.)	1
23	00-010901-00048	Orifice – Spud (48 Drill) (PRO/BUT) (Sea Level to 2499 Ft.)	1
24	00-010901-00049	Orifice – Spud (49 Drill) (PRO/BUT) (2500 to 4499 Ft.)	1
25	00-010901-00050	Orifice – Spud (50 Drill) (PRO/BUT) (4500 to 7499 Ft.)	1
26	00-010901-00051	Orifice – Spud (51 Drill) (Sea Level to 2000 Ft.)	1
27	00-417879-00001	Nozzle – Pilot Burner	1
28	SC-114-27	Mach. Screw 8-32 x 1/2	2
29	00-424194-00001	Ignitor – Flame Detector	1
30	00-424135-000G1	Burner Assy. (VC4G)	1
31	00-424195-000G1	Burner Assy. (VC6G)	1
32	NS-044-07	Nut Assy. 8-32	2
	00-424191-000G1	Burner Access Cover (Not Shown)	1



PL-55994-1

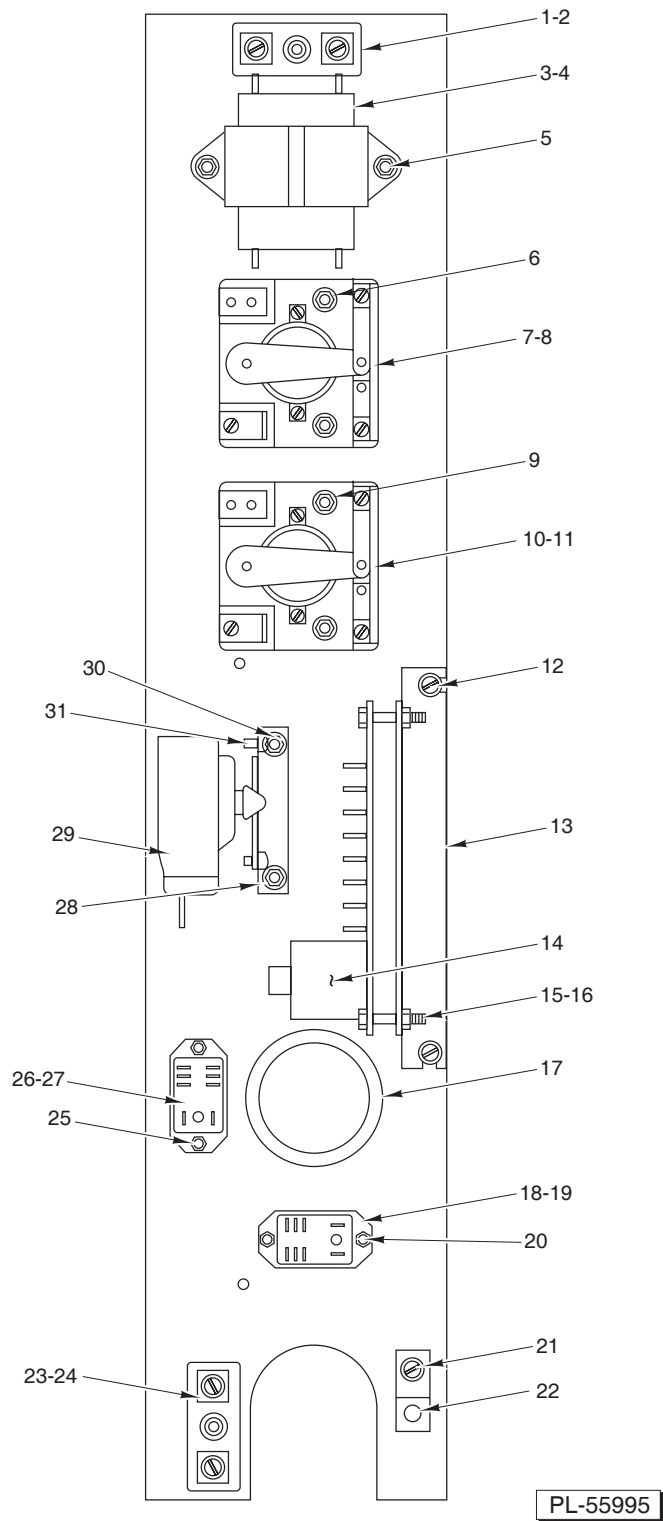
VC4GC & VC6GC

**VC4GD & VC6GD
(W/O ROAST & HOLD)**

ELECTRICAL COMPONENT PANELS

ELECTRICAL COMPONENT PANEL

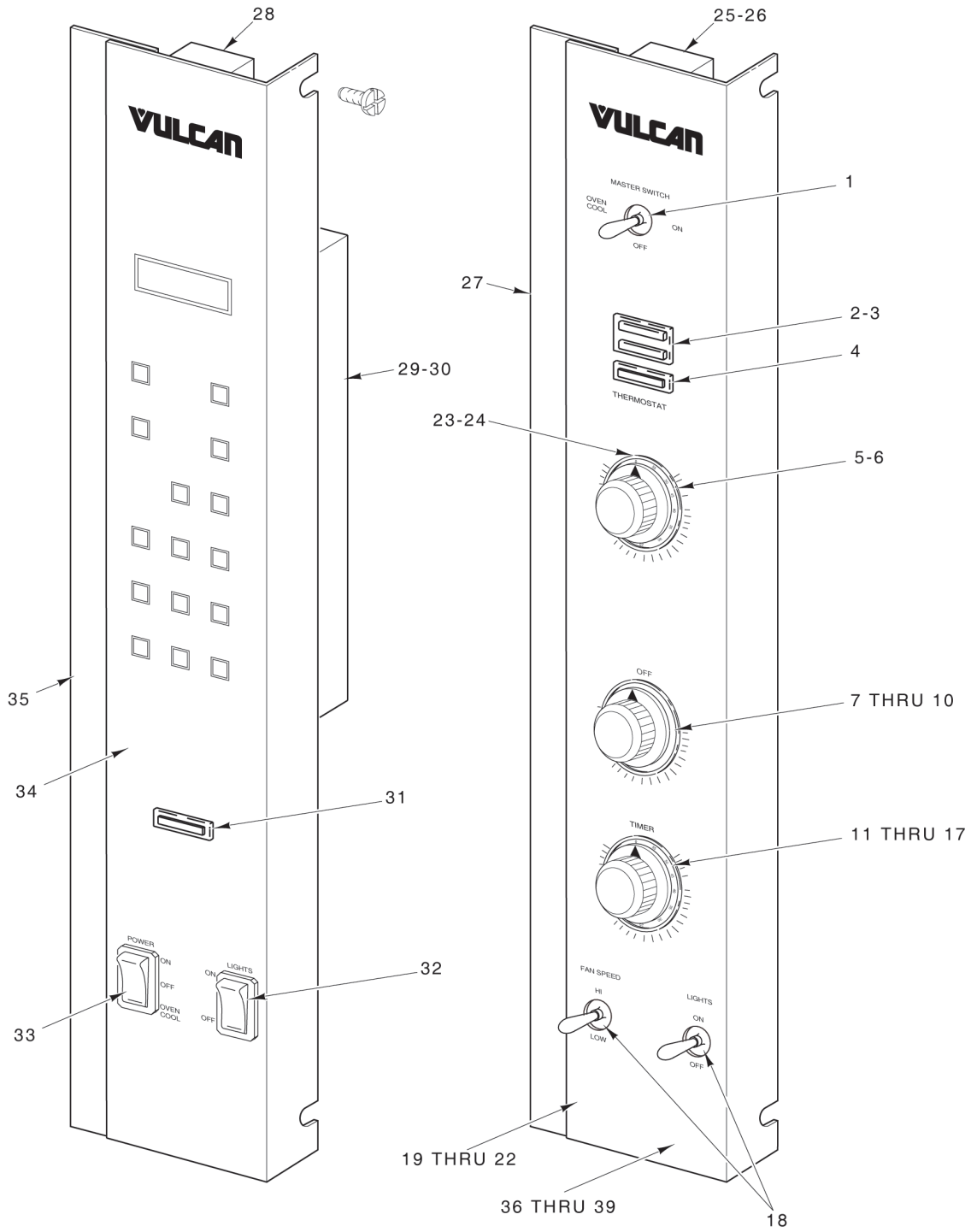
ILLUS.	PART NO.	NAME OF PART	AMT.
PL-55994-1			
1	00-417934-000G1	Porcelain - Block Assy.	1
2	SD-034-52	Self-Tapping Screw 8-32 x 1 Hex Washer Hd., Type T	1
3	00-411500-00012	Transformer (120 V.) (24 V. Output)	1
4	00-411500-00013	Transformer (208-240 V.) (24 V. Output)	1
5	SD-032-07	Self-Tapping Screw 10-24 x 1/2 Hex Washer Hd., Type TT	2
6	00-423760-00001	Bracket - Ignition Module	1
7	SD-032-07	Self-Tapping Screw 10-24 x 1/2 Hex Washer Hd., Type TT	1
8	00-424137-00002	Control - Spark Ignition (Spark Module)	1
9	SD-034-52	Self-Tapping Screw 8-32 x 1 Hex Washer Hd., Type T	2
10	NS-044-07	Nut Assy. 8-32 Hex Keps	2
11	FE-024-23	Bushing - Electrical (Snap)	1
12	00-417856-00001	Lug - Grounding (With Set Screw)	1
13	SD-032-07	Self-Tapping Screw 10-24 x 1/2 Hex Washer Hd., Type TT	1
14	00-417934-000G1	Porcelain - Block Assy.	1
15	SD-034-52	Self-Tapping Screw 8-32 x 1 Hex Washer Hd., Type T	1
16	00-416535-00006	Relay - Heating (120 V.)	1
17	00-416535-00007	Relay - Heating (200-240 V.)	1
18	SD-034-49	Self-Tapping Screw 8-32 x 1/2 Hex Washer Hd., Type T	1
19	00-417934-000G1	Porcelain - Block Assy.	1
20	SD-034-52	Self-Tapping Screw 8-32 x 1 Hex Washer Hd., Type T	1
21	00-421758-000G1	Transformer (120 V.) (24 V. Output)	1
22	00-421758-000G2	Transformer (208-240 V.) (24 V. Output)	1
23	SD-032-07	Self-Tapping Screw 10-24 x 1/2 Hex Washer Hd., Type TT	2
24	SD-034-52	Self-Tapping Screw 8-32 x 1 Hex Washer Hd., Type T	4
25	00-821875-00002	Relay - Solid State (50Amp)	2
26	SD-034-52	Self-Tapping Screw 8-32 x 1 Hex Washer Hd., Type T	4
27	00-821875-00002	Relay - Solid State (50Amp)	2
28	SD-032-07	Self-Tapping Screw 10-24 x 1/2 Hex Washer Hd., Type TT	1
29	00-423760-00001	Bracket - Ignition Module	1
30	00-424137-00002	Control - Spark Ignition (Spark Module)	1
31	SD-034-52	Self-Tapping Screw 8-32 x 1 Hex Washer Hd., Type T	2
32	NS-044-07	Nut Assy. 8-32 Hex Keps	2
33	FE-024-23	Bushing - Electrical (Snap)	1
34	SD-034-52	Self-Tapping Screw 8-32 x 1 Hex Washer Hd., Type T	1
35	00-417934-000G1	Porcelain - Block Assy.	1
36	SD-032-07	Self-Tapping Screw 10-24 x 1/2 Hex Washer Hd., Type TT	1
37	00-417856-00001	Lug - Grounding (With Set Screw)	1
38	00-416535-00006	Relay - Heating (120 V.)	1
39	00-416535-00007	Relay - Heating (200-240 V.)	1
40	SD-034-49	Self-Tapping Screw 8-32 x 1/2 Hex Washer Hd., Type T	2
	00-353589-00001	Probe Temperature ("D" Model)	1
	00-920883-00003	Probe Temperature (ML-126616) ("C" Model)	1
	00-423813-00003	Wire - Ignition (High Voltage)	
	00-428428-000G1	Sensor Wire	



**ELECTRICAL COMPONENT PANEL
(W/ROAST & HOLD)**

**ELECTRICAL COMPONENT PANEL
(W/ROAST & HOLD)**

ILLUS.	PART NO.	NAME OF PART	AMT.
PL-55995			
1	00-417934-000G1	Porcelain – Block Assy.	1
2	SD-034-52	Self-Tapping Screw 8-32 x 1 Hex Washer Hd., Type T	1
3	00-421758-000G1	Transformer (120 V.) (24 V. Output)	1
4	00-421758-000G2	Transformer (208-240 V.) (24 V. Output)	1
5	SD-032-07	Self-Tapping Screw 10-24 x 1/2 Hex Washer Hd., Type TT	2
6	SD-034-52	Self-Tapping Screw 8-32 x 1 Hex Washer Hd., Type T	2
7	00-411497-000A1	Relay (1 Pole) (120 V.)	1
8	00-411497-000A2	Relay (1 Pole) (200 V.)	1
9	SD-034-52	Self-Tapping Screw 8-32 x 1 Hex Washer Hd., Type T	2
10	00-411497-000A1	Relay (1 Pole) (120 V.)	1
11	00-411497-000A2	Relay (1 Pole) (200 V.)	1
12	SD-032-07	Self-Tapping Screw 10-24 x 1/2 Hex Washer Hd., Type TT	2
13	00-423760-00001	Bracket – Ignition Module	1
14	00-424137-00002	Control – Spark Ignition (Spark Module)	1
15	SD-034-52	Self-Tapping Screw 8-32 x 1 Hex Washer Hd., Type T	2
16	NS-044-07	Nut Assy. 8-32 Hex KEPS	2
17	FE-024-23	Bushing – Electrical (Snap)	1
18	00-416535-00006	Relay – Heating (120 V.)	1
19	00-416535-00007	Relay – Heating (200-240 V.)	1
20	SD-034-49	Self-Tapping Screw 8-32 x 1/2 Hex Washer Hd., Type T	2
21	SD-032-07	Self-Tapping Screw 10-24 x 1/2 Hex Washer Hd., Type TT	1
22	00-417856-00001	Lug – Grounding (With Set Screw)	1
23	00-417934-000G1	Porcelain – Block Assy.	1
24	SD-034-52	Self-Tapping Screw 8-32 x 1 Hex Washer Hd., Type T	1
25	SD-034-49	Self-Tapping Screw 8-32 x 1/2 Hex Washer Hd., Type T	2
26	00-416535-00006	Relay – Heating (120 V.)	1
27	00-416535-00007	Relay – Heating (200-240 V.)	1
28	00-424832-00001	Bracket – Mounting	1
29	00-413764-00001	Thermostat (Roast & Hold)	1
30	SD-032-07	Self-Tapping Screw 10-24 x 1/2 Hex Washer Hd., Type TT	2
31	SC-114-83	Mach. Screw 6-32 x 1/4 Pan Hd.	2
	00-353589-00001	Probe – Temperature (“D” Model)	1

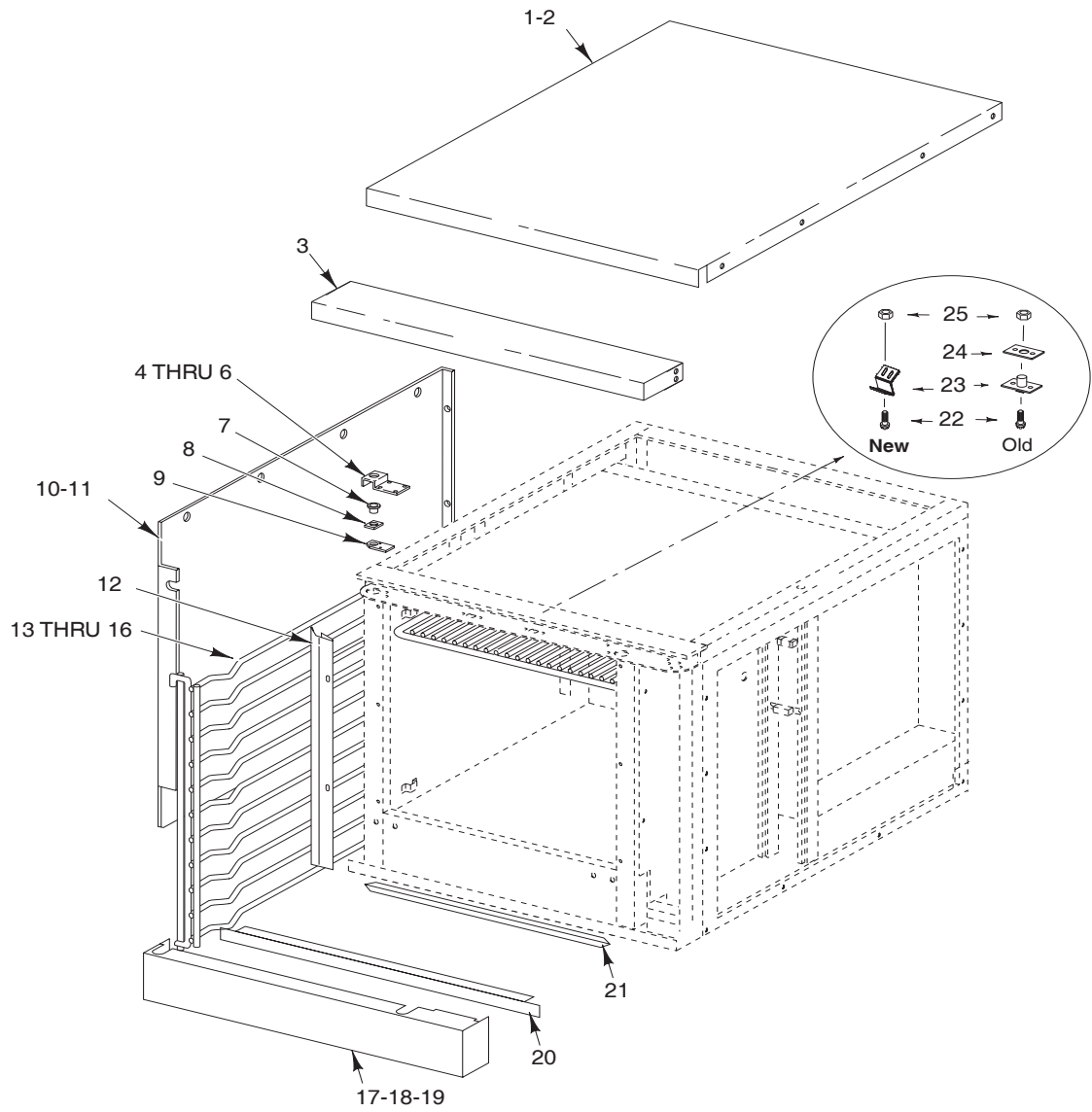


PL-55996-2

CONTROL PANELS

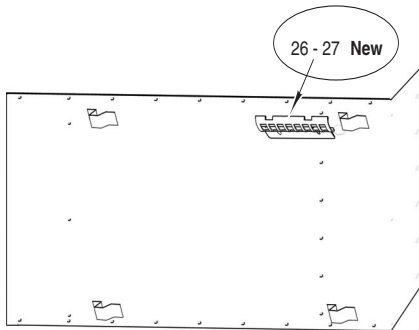
CONTROL PANELS

ILLUS.	PART NO.	NAME OF PART	AMT.
PL-55996-2			
1	00-340324-00008	Switch	1
2	00-354575-00002	Light - Indicator (110-120V.)	1
3	00-354575-00001	Light Indicator (200-240V.)	1
4	00-354575-00004	Light - Indicator	1
5	00-411242-00001	Knob	1
6	00-353613-00002	Temperature Control Board (ML-126611) (ML-126613)	1
7	00-411242-00001	Knob	1
8	00-411690-00003	Timer (120 V.) (60 Hz.) (5 Hr.) (Without Roast & Hold)	1
9	00-411690-00004	Timer (240 V.) (60 Hz.) (5 Hr.) (Without Roast & Hold)	1
10	00-411690-00006	Timer (240 V.) (50 Hz.) (5 Hr.) (Without Roast & Hold)	1
11	00-411242-00001	Knob	1
12	00-411690-00001	Timer (120 V.) (1 Hr.)	1
13	00-411690-00002	Timer (240 V.) (1 Hr.) (60 Hz.)	1
14	00-411690-00003	Timer (120 V.) (60 Hz.) (5 Hr.)	1
15	00-411690-00004	Timer (240 V.) (60 Hz.) (5 Hr.)	1
16	00-411690-00005	Timer (240 V.) (1 Hr) (50Hz)	1
17	00-411690-00006	Timer (240 V.) (50 Hz.) (5 Hr.)	1
18	00-340324-00009	Switch (D.P.D.T.)	2
19	00-497280-00001	Overlay - Panel ("D" Model) (1 Hr.) (Without Roast & Hold)	1
20	00-497284-00001	Overlay - Panel ("D" Model) (5 Hr.) (Without Roast & Hold)	1
21	00-497285-00001	Overlay - Panel ("D" Model) (1 Hr.) (with Roast & Hold)	1
22	00-497292-00001	Overlay - Panel ("D" Model) (5 Hr.) (with Roast & Hold)	1
23	SC-114-82	Mach. Screw 4-40 x 5/16 Rd. Hd.	2
24	WS-028-20	Washer	2
25	00-411499-00003	Buzzer (230 V.)	1
26	00-411499-00004	Buzzer (115 V.)	1
27	00-499296-000G1	Panel - Control Weldment (New Style)	1
	00-424206-000G1	Panel - Control Weldment (Old Style)	1
28	00-423918-00001	Beeper - Electronic	1
29	NS-044-05	Nut Assy. 6-32 Hex Keps	7
30	00-424846-00001	Controller (Watlow #734) ("C" Model)	1
31	00-354575-00004	Light - Indicator	1
32	00-358628-00002	Switch - Rocker (2 Position)	1
33	00-358628-00001	Switch - Rocker (3 Position)	1
34	00-497506-00001	Overlay - Control Panel ("C" Model)	1
35	00-499301-000G1	Panel - Control Assy. ("C" Model) (New Style)	1
	00-424842-000G1	Panel - Control Assy. ("C" Model) (Old Style)	1
36	00-424201-00001	Overlay - Panel ("S" Model) (1 Hr.) (Without Roast & Hold)	1
37	00-424237-00001	Overlay - Panel ("S" Model) (5 Hr.) (Without Roast & Hold)	1
38	00-424211-00001	Overlay - Panel ("S" Model) (1 Hr.) (With Roast & Hold)	1
39	00-424244-00001	Overlay - Panel ("S" Model) (5 Hr.) (With Roast & Hold)	1



PL-55998-2

OVEN PANELS



RH CAVITY SIDE

OVEN PANELS

ILLUS. PL-55998-2	PART NO.	NAME OF PART	AMT.
1	00-424141-00002	Top (SST) (VC4)	1
2	00-424229-00002	Top (SST) (VC6)	1
3	00-421799-00001	Top – Front	1
4	00-353484-00001	Plate – Retainer	2
5	SC-053-46	Mach. Screw 1/4-20 x 3/4 Truss Hd. (SST)	4
6	NS-038-08	Lock Nut 1/4-20 x 1 Hex	4
7	00-347080-00002	Bearing – Door Shaft	2
8	00-353482-00001	Spacer	2
9	00-353483-00001	Plate – Upper Door Bearing	2
10	00-499302-00001	Panel – Outer (SST) (LH) (VC4G) (New Style)	1
	00-424142-00002	Panel – Outer (SST) (LH) (VC4G) (Old Style)	1
11	00-499303-00001	Panel – Outer (SST) (LH) (VC6G) (New Style)	1
	00-424230-00002	Panel – Outer (SST) (LH) (VC6G) (Old Style)	1
12	00-423842-000G1	Seals – Vertical Door Set (LH & RH)	1
	00-357919-00001	Door Seal Kit (Includes Items 12 & 21)	1
13	00-342141-00001	Rack – Support (LH) (VC4G)	1
14	00-342141-00002	Rack – Support (RH) (VC4G)	1
15	00-428104-00003	Rack – Support (LH) (VC6G)	1
16	00-428104-00004	Rack – Support (RH) (VC6G)	1
17	00-499261-00002	Trim – Bottom (W/O Access Door) (New Style)	1
	00-421797-00002	Trim – Bottom (Old Style)	1
	00-423766-000G1	Trim – Bottom (Prior to March, 2007) (Incls. Items 19 & 20)	1
18	00-423758-00001	Access Door (Old Style)	1
19	00-425199-00001	Fastener – Nylon (Push-In) (Prior to March, 2007)	2
20	00-424865-00001	Cover – Trim	1
21	00-357507-00001	Seal – Horizontal Door	2
	00-357919-00001	Door Seal Kit (Includes Items 12 & 21)	1
22	SC-115-51	Mach. Screw 10-32 x 1/2 Phil. Truss Hd.	4
23	00-497585-00001	Strike Plate (New Style) (Mounted on Upper “C” Channel)	2
	00-347545-00001	Roller Ball Door Latch (Old Style)	1
	00-423847-00001	Strike Plate (Old Style) (Mounted on Doors)	1
24	00-423848-00001	Shim – Door Strike (Old Style)	AR
25	NS-038-03	Lock Nut – SP 10-32	4
26	00-499278-00001	Probe Guard (New Style)	1
27	SD-032-07	Screw, 10-24 x 1/2 Hex Hd.	2
	00-423014-000G1	Door Kit W/Two Rollers (Old Style)	1

RECOMMENDED SPARE PARTS

PART NO.	NAME OF PART	AMT.
00-353589-00001	Thermocouple ("D" Models)	2
00-410841-00018	Combo Valve (Nat. Gas) (RobertShaw)	2
00-410841-00019	Combo Valve (L.P. Gas) (RobertShaw)	2
00-497269-00001	Combo Valve (Nat. Gas) (White Rogers)	2
00-497269-00002	Combo Valve (L.P. Gas) (White Rogers)	2
00-424940-00001	Cooling Fan (120V)	2
00-424940-00002	Cooling Fan (240V)	2
00-424137-00002	Dual Spark Ignition Control	2
00-346357-00001	High Limit (550 Degree)	2
00-416535-00006	Heat Relay ("D" Model) (120V)	2
00-416535-00007	Heat Relay ("D" Model) (208/240V)	2
00-411496-000F1	Door Switch	2
00-421758-000G1	Transformer (120V/24V)	2
00-421758-000G2	Transformer (240V/24V)	2
00-411690-00001	Timer (1 hour) (120V)	2
00-411690-00002	Timer (1 hour) (240V)	2
00-411242-00001	Knob	2
00-353613-00002	Solid State Temperature Control ("D" Model)	2
00-497585-00001	Strike Plate (New Style) (Mounted on "C" Channel)	4
00-423847-00001	Door Strike (Old Style) (Mounted on Doors)	4
00-497586-00001	Roller Latch (New Style) (Mounted on Doors)	2
00-347545-00001	Roller Ball Door Latch (Old Style) (Mounted to "C" Channel)	2
00-423014-000G1	Door Roller Kit (Old Style)	2
00-424194-00001	Ignitor / Sensor	2
00-340324-00008	ON/OFF Toggle Master Switch	2
00-357036-00001	Lamp Assy.	2
00-340324-00009	Toggle Switch	2